



**PRESIDENCY UNIVERSITY
BENGALURU**

**SCHOOL OF DESIGN
END TERM EXAMINATION - JAN 2023**

Semester : Semester III - 2021

Course Code : DES1056

Course Name : Sem III - DES1056 - Autocad

Program : B. Design - SD

Date : 13-JAN-2023

Time : 9.30AM - 12.30PM

Max Marks : 100

Weightage : 50%

Instructions:

- (i) Read all questions carefully and answer accordingly.*
- (ii) Question paper consists of 3 parts.*
- (iii) Scientific and non-programmable calculator are permitted.*

PART-A

ANSWER ALL THE FOLLOWING QUESTIONS

3Q X 10M = 30M

1. Briefly explain the use of Autocad in the field of space design. What is the file extension for the AutoCAD file?
(CO1) [Knowledge]

2. Give commands for the following and mention their uses in the drawing:
 - a. Join
 - b. Plot(CO2) [Knowledge]

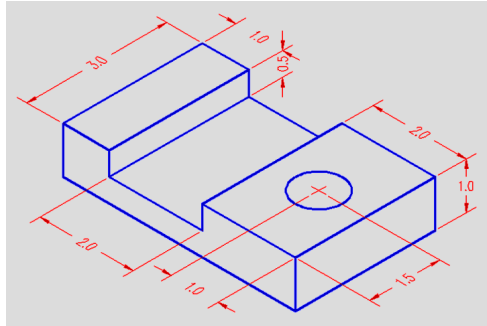
3. What are the names for the isometric planes in AutoCAD and mention their difference from one another.
(CO2) [Knowledge]

PART-B

ANSWER ALL THE FOLLOWING QUESTIONS

2Q X 15M = 30M

4. Draft the following isometric drawing in AutoCAD (*All measurements in meters*):



(CO3) [Comprehension]

5. Draft the below drawing as per the measurements given in AutoCAD in appropriate layers



(CO3) [Comprehension]

PART-C

VIVA / JURY

1 X 40M = 40M

6. Introduce the given topic and defend the jury clarifications.

(CO3) [Application]
