

Roll No



**PRESIDENCY UNIVERSITY
BENGALURU**

**SCHOOL OF DESIGN
END TERM EXAMINATION - JUN 2023**

Semester : Semester IV - 2021

Course Code : DES2051

Course Name : Sem IV - DES2051 - Simple Product Design

Program : BDP

Date : 12-JUN-2023

Time : 1.00PM - 4.00PM

Max Marks : 100

Weightage : 50%

Instructions:

- (i) Read all questions carefully and answer accordingly.
- (ii) Question paper consists of 3 parts.
- (iii) Scientific and non-programmable calculator are permitted.
- (iv) Do not write any information on the question paper other than Roll Number.

PART A

ANSWER ALL THE QUESTIONS

(2 X 10 = 20M)

1. With an explanation, clearly depict the product life cycle.
(CO1) [Knowledge]
2. Why is reverse engineering necessary for product design? What equipment is used for reverse engineering?
(CO1) [Knowledge]

PART B

ANSWER ALL THE QUESTIONS

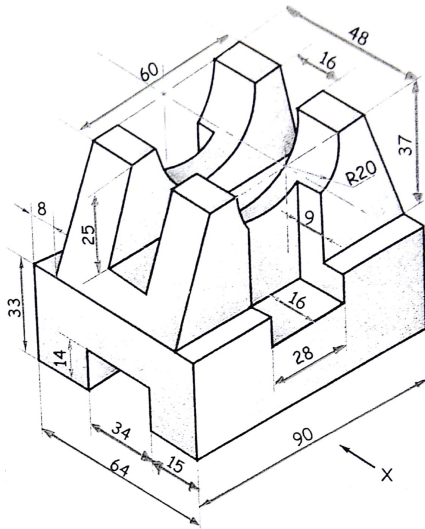
(2 X 20 = 40M)

3. Create a 3D model in NX which depict the product given. Assume the dimension using proportions.



(CO3,CO2) [Comprehension]

4. Create a 3rd angle projection for a given 2D design and use an example to highlight the value of forward engineering.



(CO2,CO3) [Comprehension]

PART C

ANSWER ALL THE QUESTIONS

(1 X 40 = 40M)

5. Present the assigned subject while representing the jury clarifications

(CO4,CO5) [Application]